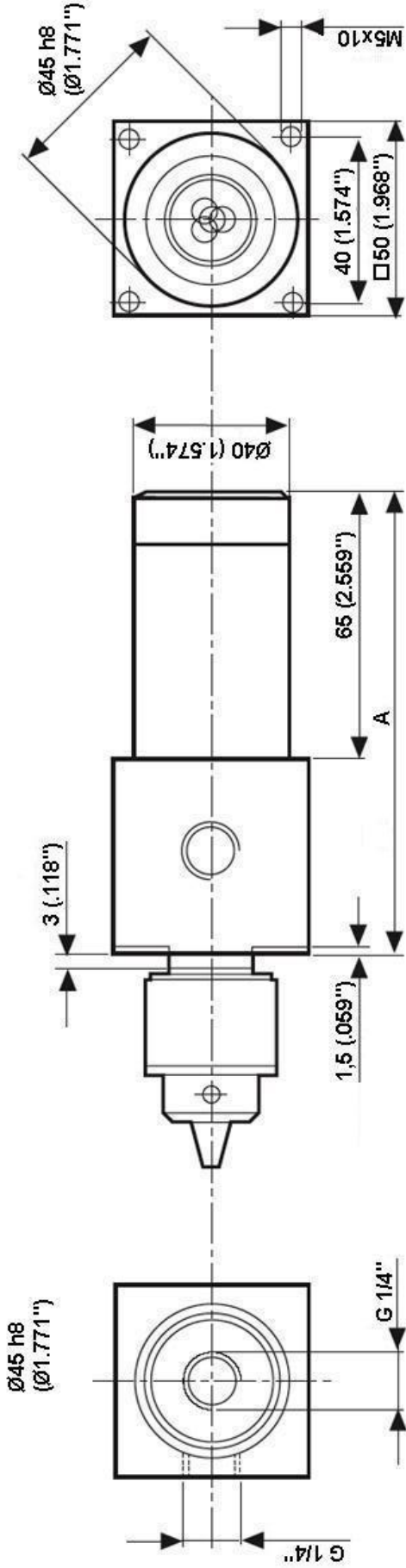


**BE 33 SK**

[mm (inch)]  
Subject to changes.



DRILLING UNIT	DIMENSIONS A		WEIGHT	
	[mm]	[inches]	[kg]	[lbs]
BE 335 SK	149	5 7/8	2.0	4 7/16
BE 337 SK				
BE 3313 SK				
BE 3326 SK	115	4 1/2	1.4	3 1/16
BE 3333 SK				
BE 3360 SK				
BE 33210 SK				